

## 11HG2W Composite Packaging

### MATERIALS:

1. Container with Pre installed Liner(s)
  2. Riged Cover
  3. Plastic Ties for securing Liner(s)
- Required Additional Items  
1 Pallet (**Pallets Must Meet Specific Minimum Requirements!**)  
See reverse side for pallet details.  
3/4" Roofing Nails

### NOTE:

-178.707 (c)5(ii) The outer packaging must be secured to any detachable pallet to ensure stability in handling and transportation. Where a detachable pallet is used, its top surface must be free from sharp protrusions that might damage the IBC. See reverse Side for Details

- When stacking is allowed (see container marking)
- **STACK ONLY WHEN FULL by Volume**
- **Maximum Stack 2 Units High**
- **The Lift Straps are to aid the discharging of the container and are NOT to be used in transport.**

packgen  
P.O. Box 1970 - 65 First Flight Drive  
Auburn, Maine 04211-1970  
Tel: 207-784-4195 Fax: 207-777-3178  
Web Site: [www.packgen.com](http://www.packgen.com)  
E-mail: [service@packgen.com](mailto:service@packgen.com)

Revised 0, /1/1+

### Instructions:

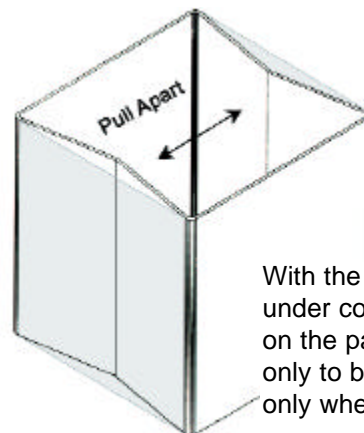
- 1** Arrives folded down



- 2** Assembly Prior to Filling:  
Stand container on end.  
-Set unit on pallet with the Label (s) facing the open sides of the pallet.  
-The Liner is pre-installed. To fully expand container pull inner liner out and gather along the top edge of the container. Carefully expand the packaging by pulling the "V"eed sidewalls apart until they are straight.

Square up on pallet. Unit should sit inside the perimeter board and not overhang pallet with a label facing the open side of the pallet.

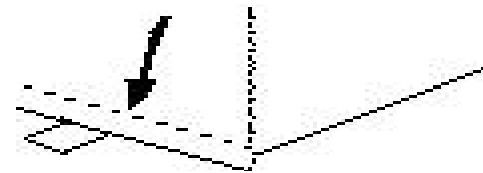
Containers prepared for shipment must NEVER overhang pallet or failure of container may occur.



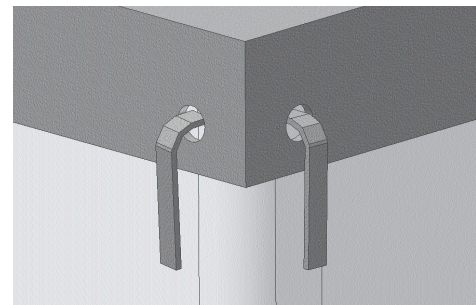
With the cover in place the top lifting straps are unavailable for use under conditions normal to transport. The cover must remain in place on the package while in the transportation system. Top lift straps are only to be used for discharging the container by the end-user and only when transportation activities have ended. (See CFR 49 171.1)

- 3** Use a 3/4" Roofing nail attach the container to pallet by nailing through attachment tabs at the bottom of the container. Heavy wire staples (16ga or equal) may also be used.

"See Note"



- 4** To Fill:  
Care should be taken when filling the container as the liner can be pulled down into the container making closure of the liner difficult. When filling start slowly until you are sure that the lining has not shifted.

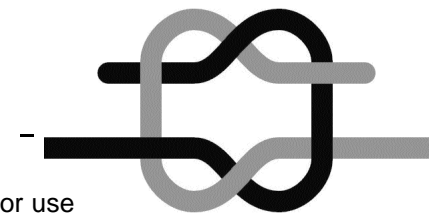


- 5** To Close:  
Gather the liner twist, and close with the cable tie provided placed approximately 6 inches down from the top edge of the liner assemble the tie and pull tight.  
The outer liner is pulled up and over the inner - twist, and close with plastic zip tie as with the first.

Before placing the cover on the container assure that the tie-straps connecting the lifting loops together are in place.

Place the cover on the container. Secure the cover with the fabric ties provided.  
With the cover in place and the package ready for transport, handling is accomplished via the base pallet.

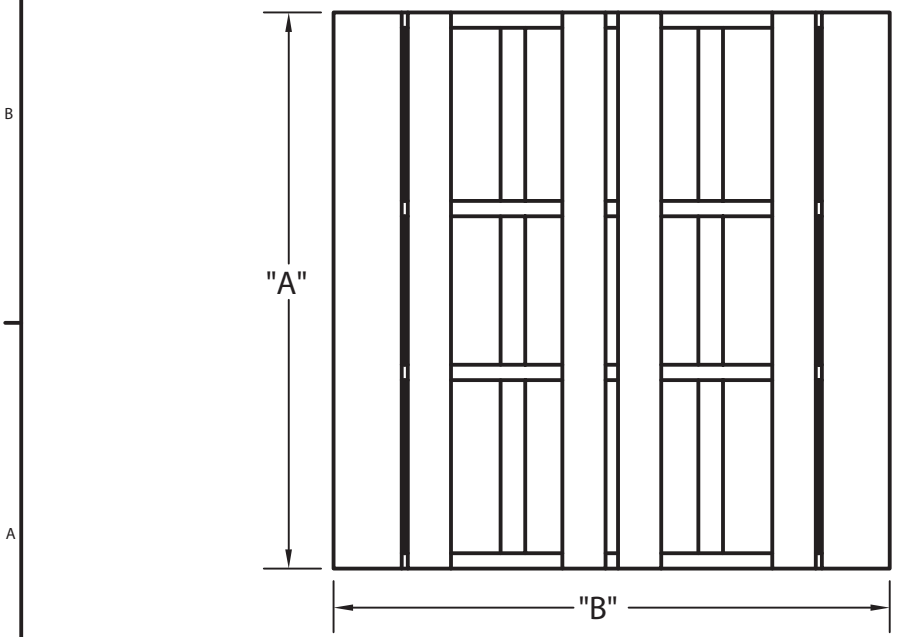
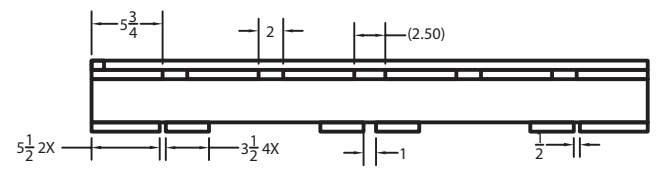
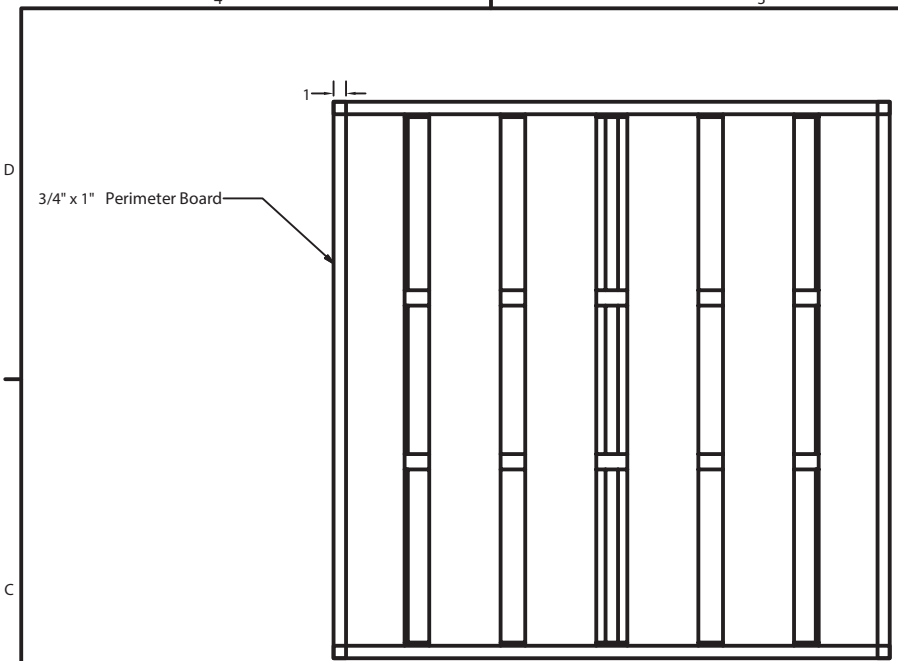
Only the authorized marking on the container governs the proper use and restrictions of the container. The UN marking is located on the side of the container and has information such as the packaging type, group, stack test load, permissible gross mass, etc. (49 CFR 178.702-3 marking of IBCs)



GRANNY KNOT

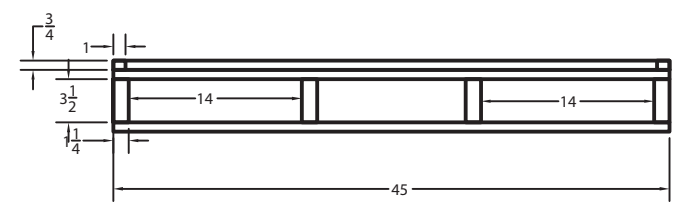
See Reverse Side





Notes:

1. Top Deck 3/4 inch, See Table for quantity
2. Bottom Boards 3/4 inch, See Table for quantity
3. Runners, See Table for quantity
4. 1" x 1" Edge Frame, See table for size
5. The pallets are designed and constructed to the (US) National Wooden Pallet & Container Association recommendations.



- 3						
- 2	48" 48"	7	6	4	4" Sq	
- 1	45" 45"	6	6	4	45" Sq	
DASH	"A" "B"	MIN	MIN			OD
Dimensions		Top Boards	Bottom Boards	Runners	Frame	

DRAWN	11/21/2006				
CHECKED					
QA		TITLE			
MFG		-1, 45" x 45", 2 Way Pallet			
APPROVED		-2, 48" x 48", 2 Way Pallet			
		SIZE	DWG NO	REV	
		A	101665	2	
		SCALE	PAGE 2 OF 2		